

T2015/T2060/T2035 CONTROL HEAD

THIS PART OF THE CCT
APPLIES TO THE
T2035 CONTROL HEAD

BACK LIGHTING

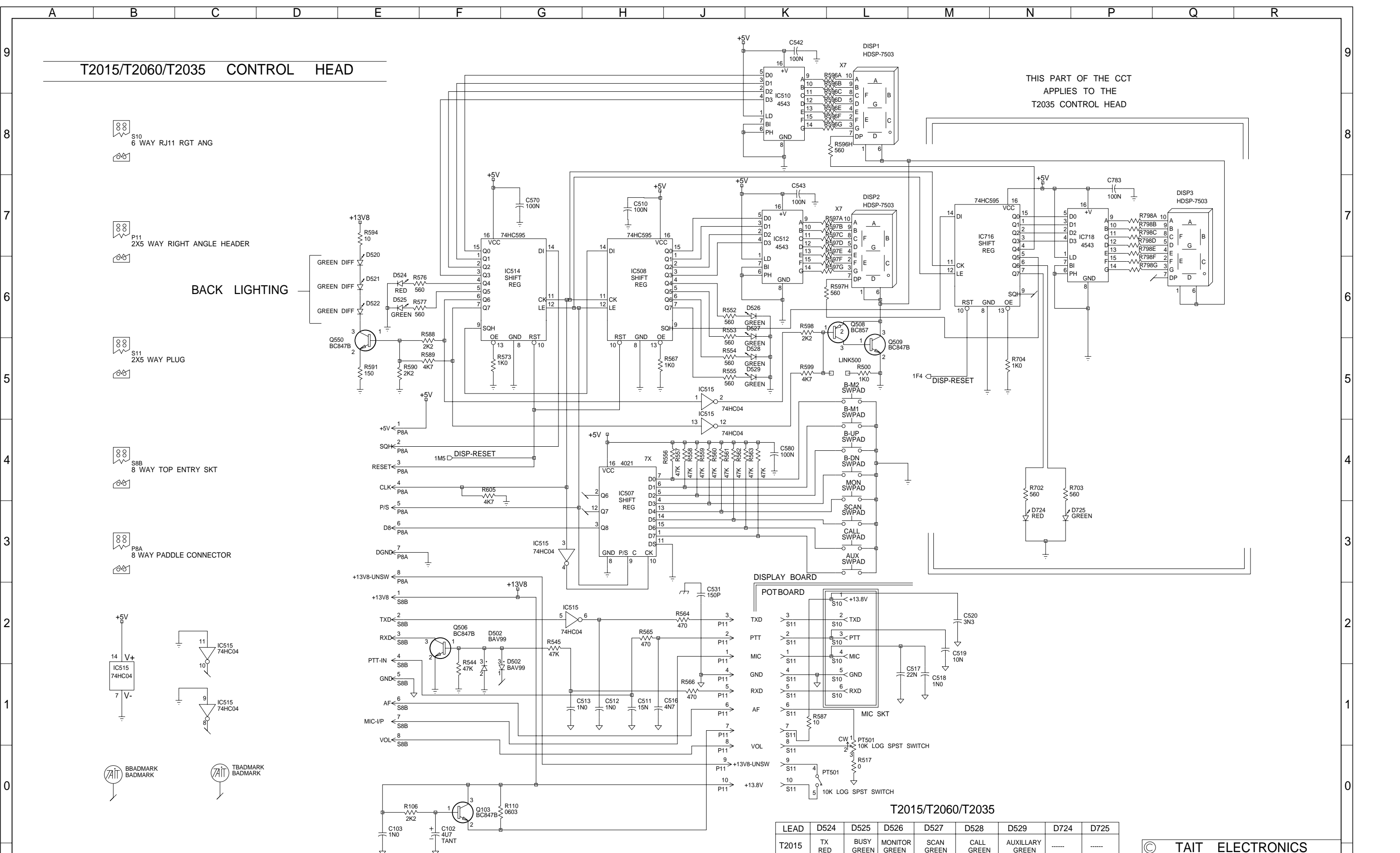
DISPLAY BOARD

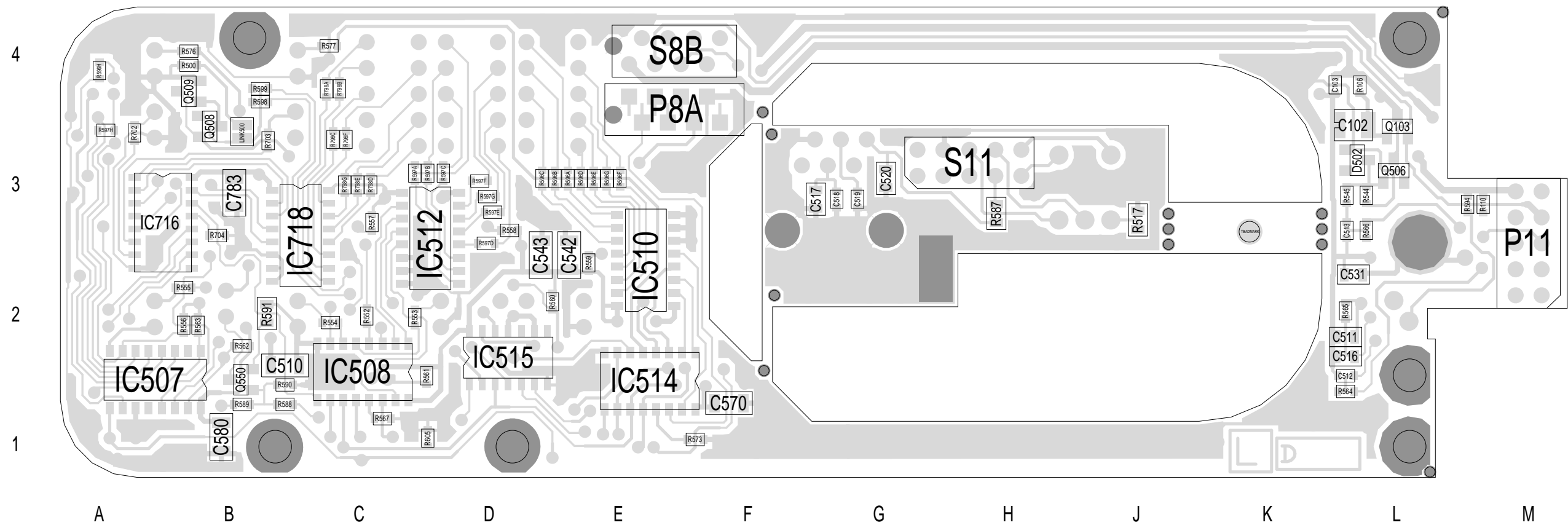
POTBOARD

LEAD	D524	D525	D526	D527	D528	D529	D724	D725
T2015	TX RED	BUSY GREEN	MONITOR GREEN	SCAN GREEN	CALL GREEN	AUXILIARY GREEN
T2060	TX RED	BUSY GREEN	MONITOR GREEN	SCAN GREEN	FUNCTION GREEN	FUNCTION GREEN
T2035	TX RED	WAIT YELLOW	CLEAR GREEN	DESPATCH GREEN	FUNCTION GREEN	CALLBACK GREEN	SERVICE RED	GO GREEN

© TAIT ELECTRONICS
T2000
2 OR 3 DIGIT LED DISPLAY
IPN: 220-01570-01 ISSUE: A 2.SC. 1
PROJECT: T2000 BRD DESIGNER: FILE NAME: 157001a FILE DATE: 19-Apr-02 NO.SHEETS: 1

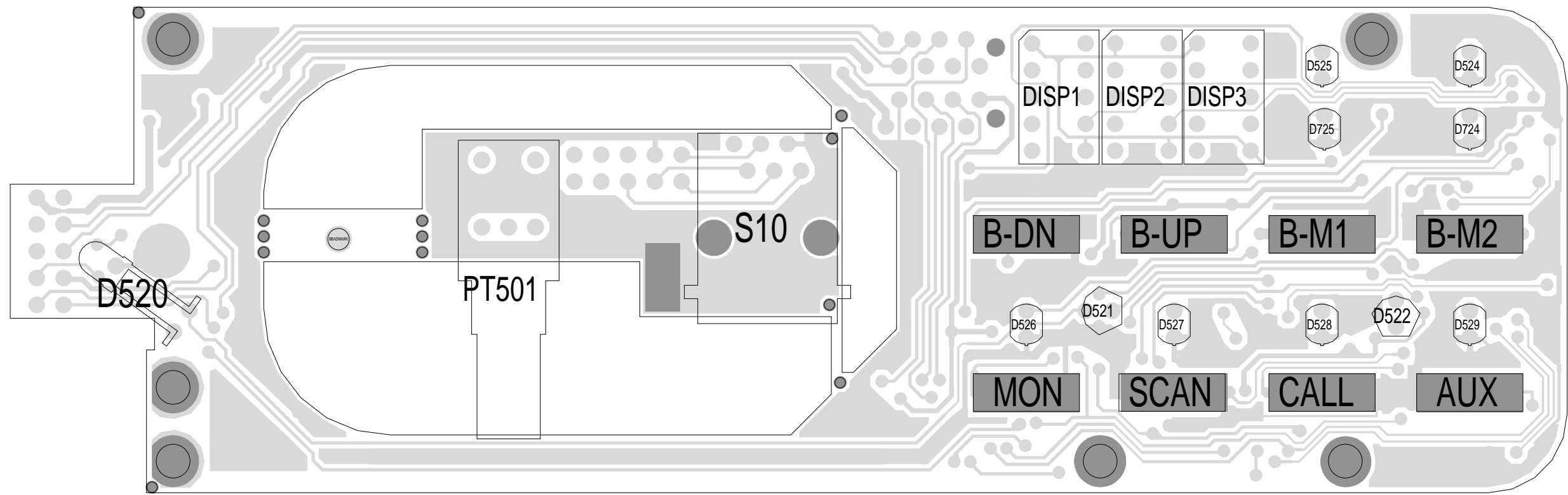
01A	ECO NO. 21-1217 DECIMAL POINTS	BRD			15-04-02
00A	T2015/2035 COMBINED CNTRL/HEAD	RPS			27/10/98
REV/ISS	AMENDMENTS	DRAWN	CHKD	D.O.	APVD DATE





TAIT ELECTRONICS	IPN: 220-01570-01	ISS: A	ID: 1.TA	DATE: 19 Apr 2002
DIGIT LED2/3 PCB LAYOUT - TOP SIDE				

Scale: 2.2:1 ; Rotation: 0 degrees



TAIT ELECTRONICS	IPN: 220-01570-01	ISS: A	ID: 2.BA	DATE: 19 Apr 2002
DIGIT LED2/3 PCB LAYOUT - BOTTOM SIDE				

Scale: 2.2:1 ; Rotation: 0 degrees